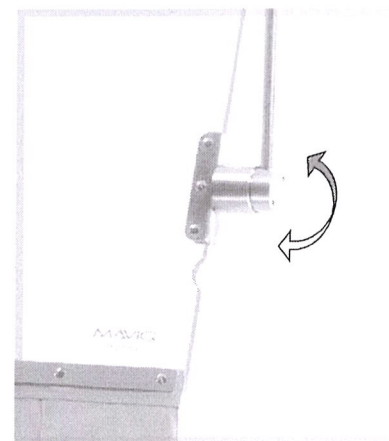
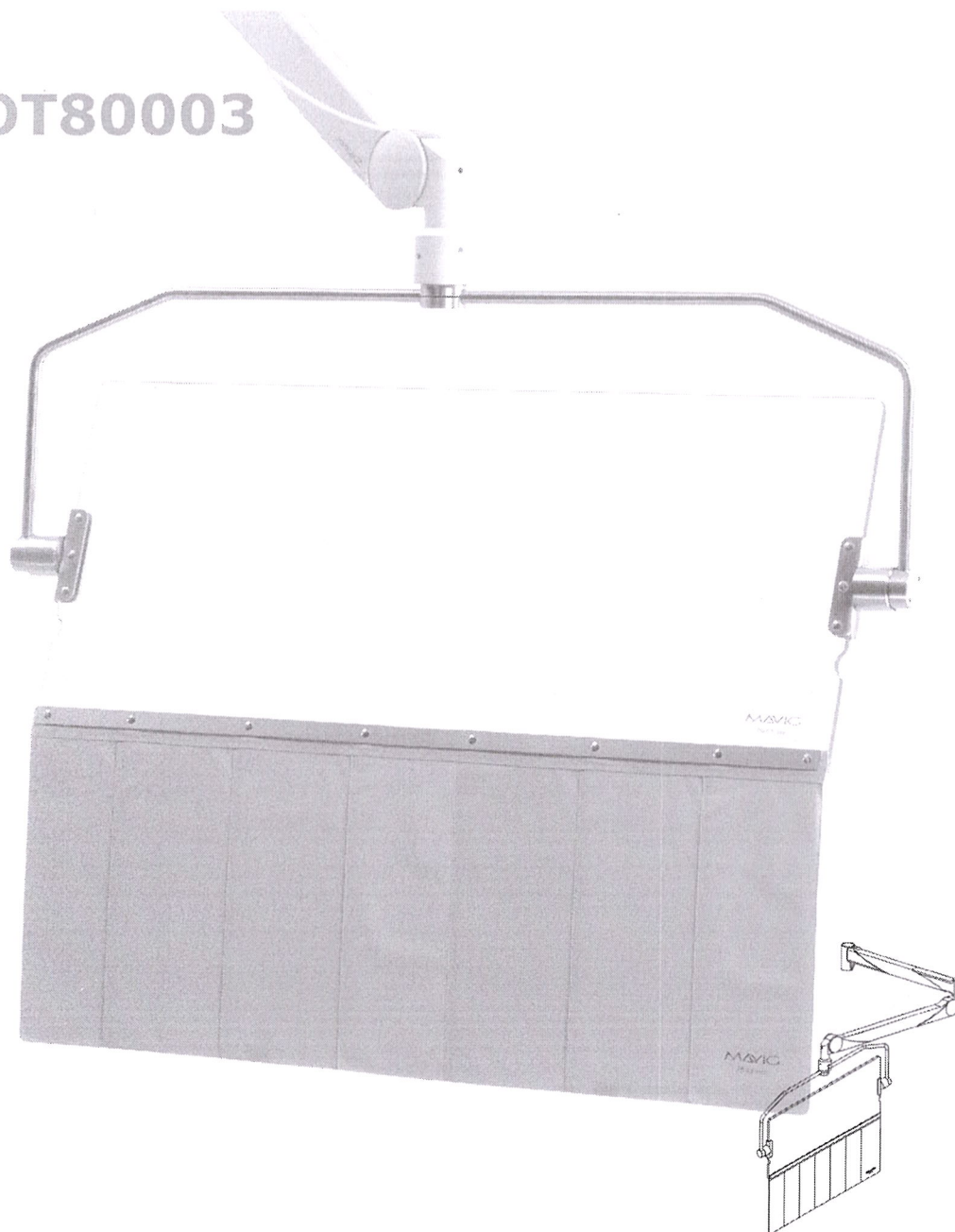


OT80003

MAVIG



Article No.: **OT80003**
E-OT40B03

X-ray protective shield with Portegra2 suspension arm (extension arm length: 75 cm)
Lead acrylic shield / sparepart: 760 x 350 mm, Pb 0.50 mm, laterally guided,
and with flexible lead rubber panels in hygienic covers

IEC 60601-1

Made in Germany



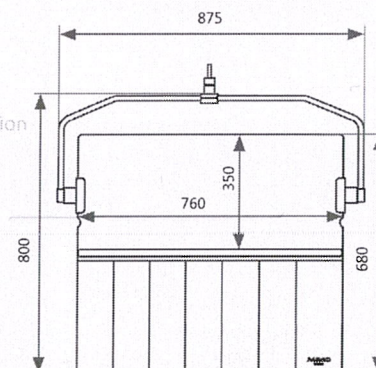
OT80003 – X-Ray Protective Shield with Suspension Arm

MAVIG's products are designed to offer solid protection and optimized functionality. The high quality acrylic shield allows for an excellent transmittance and unimpeded view. All edges and corners have been rounded and shatter-proof materials are used to minimize risk of injury.

MAVIG's patented Portegra2 suspension arm provides its industry known safety features and movement flexibility. The laterally guided shield provides increased protection with its flexible drape panels, better shielding the user from scattered radiation emanating from the patient's body.

- **OT80003**
- **Acrylic Shield**
- **Lead Equivalent**
- **Lead Rubber Panels**

X-ray protective shield (OT40B03) with preset Portegra2 suspension arm (OT50U010), consisting of 75 cm extension and 91 cm spring arm
W x H: 76 x 35 cm (29.9 x 13.8 in), laterally guided
Pb 0.50 mm
7 panels with hygienic covers, each 35 x 13 cm (13.8 x 5.1 in)



MAVIG GmbH

X-Ray Protection and
Medical Suspension Systems

Stahlgruberring 5
81829 Munich
Germany

PO Box 82 03 62
81803 Munich
Germany

Phone +49 (0) 89 / 420 96 - 0
Fax +49 (0) 89 / 420 96 - 200
e-Mail info@mavig.com

www.mavig.com